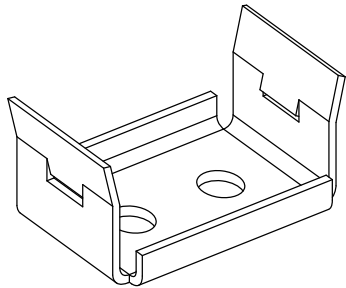
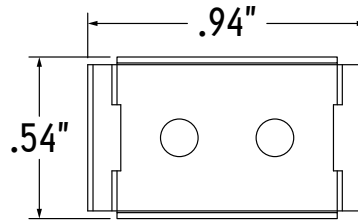


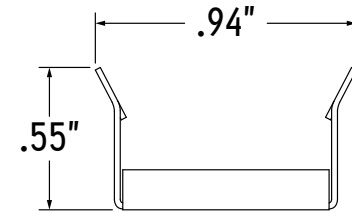
Isometric View



Top View

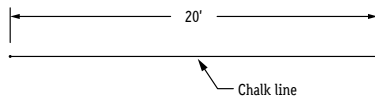


End View



- 1.** Measure area where LLED8200-L will be installed.

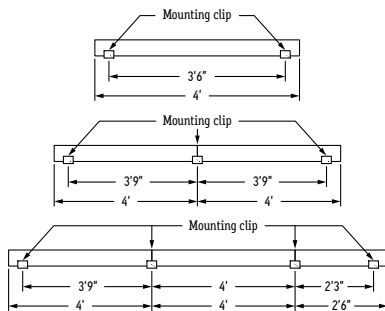
**RECOMMENDATION:** Use chalk line to ensure a straight installation.



- 2.** Mark location where mounting clips will be installed.

**TIP:** Quantity of mounting clips = quantity of fixture +1.

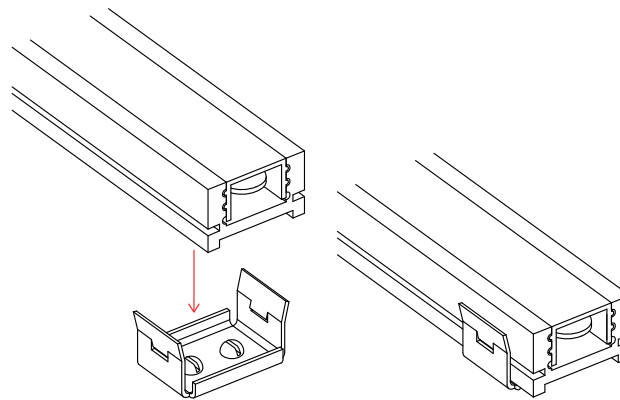
Use a mounting clip at the joint between two fixtures.



- 3.** Lay mounting clips and pre-drill using proper drill bit for surface and screw size.

**RECOMMENDATION:** 8/32 X 1" screw

- 4.** Screw mounting clips to surface, then snap fixture into mounting clips. Ensure fixture is securely mounted in place. For wet location, continue to step 5.



- 5.** Apply silicone at both ends of each run to seal fixture (for wet location fixtures only).

Assembled End View

