

FEATURES	
<b>APPLICATIONS</b>	Accent, Decorative Lighting
<b>VOLTAGE</b>	24VDC
<b>LAMP TYPE</b>	Modular LEDs
<b>DIMMING</b>	Forward Phase 0-10V Lutron
<b>LENGTH</b>	Built to Order
<b>CONSTRUCTION</b>	LED Modules (Field Cuttable - Dry Location Only)
<b>MOUNTING</b>	Mounting Clips or Mounting Channel
<b>CRI</b>	>90
<b>EFFICACY</b>	108 Lumens per Watt
<b>VIEWING ANGLE</b>	120 Degrees
<b>L70 LED LIFE</b>	60,000 hrs.
<b>MAXIMUM RUN*1</b>	20' (6W), 30' (4W), 36' (3W, 2W) (Based on 5 amps)
<b>LISTING</b>	Dry or Wet (IP65 or IP67) Location UL2108, CSA C22.2#9 UL8750, CSA250

### ELECTRICAL

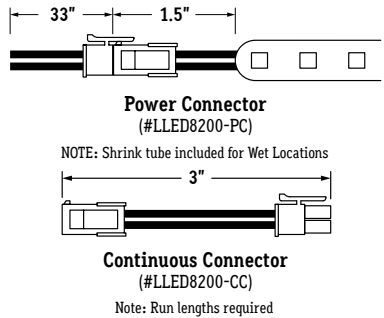
lipLEDs is a 24 Volt system that requires a 24VDC (secondary side) transformer. The standard primary side voltage on our transformers is 120V or 277V. Consult factory for other primary side voltages. See transformer brochure for additional information.

lipLEDs remote drivers are available with 120V or 277V primary voltage and 24VDC secondary voltage.



lipLEDs are ETL listed for closet lighting using up to 2 watts per foot. The lipLEDs family offers multiple extrusions and color temperatures that can be used for closet lighting. Choose from any of our Class II drivers to make a complete system for your closet space.

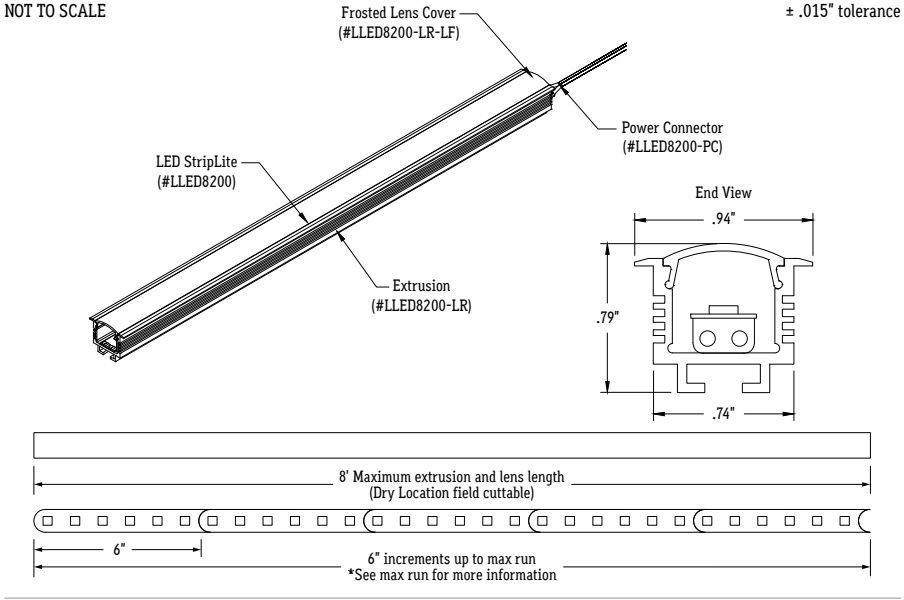
### ACCESSORIES (Not Included)



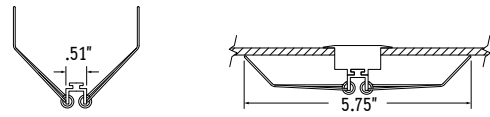
### LAMP SPECIFICATIONS

LAMP NUMBER	DESCRIPTION
LED-2.4K	2400K Incandescent White
LED-2.7K	2700K Warm White
LED-3.0K	3000K Warm White
LED-3.5K	3500K Neutral White
LED-4.0K	4000K Neutral White
LED-4.5K	4500K Cool White

Consult factory for cooler white color temperatures



### MOUNTING OPTION (Not Included)



Spring Loaded Mounting Clip  
(#LLED8200-SPR-MC)

### SPECIFY PRODUCT CODE (Use drop down menu to complete table or fill in the blanks)

SERIES	OPTICS	WATTS PER FOOT	DIMMING	LAMP	LISTING	FINISH
Ex. LLED8200-LR	F	2W	10V	LED-3.5K	DRY	BK
LLED8200-LR	Clear Lens (CL)	2 Watts (2W) (216 Lumens/ft)	Forward Phase (DM) 0-10V (10V)	LED-2.4K LED-2.7K	Indoor (DRY)	Natural Silver (NA)*2
	50% Semi-Frosted Lens (SF)	3 Watts (3W) (324 Lumens/ft)	Hi-Lume 1% 2 Wire (2 Wire)*3	LED-3.0K LED-3.5K	Outdoor IP65 (WET)*6	Polished (PA) White (WH)
	100% Frosted Lens (F)	4 Watts (4W) (432 Lumens/ft)	Hi-Lume 1% 3 Wire (3 Wire)*4	LED-4.0K LED-4.5K	Outdoor IP67 (WET-IP67)*6	Satin (SA) Black (BK)
		6 Watts (6W) (648 Lumens/ft)	Hi-Lume Premier 0.1% (L3D0E)*5			Green (GN) Red (RD) Silver (SR)
			JA8 0-10V (JA8-10V)			Custom Powder Coat (PC)
			JA8 2 Wire (JA8-2WR)			
			Leave Blank for Non-Dimming			

\*1 Maximum run based on 4 amps for class II applications: 14' (6W), 24' (4W), 32' (3W), 36' (2W)  
 \*2 Standard Finish: Natural Silver if left blank  
 \*3 40 watt max Lutron Hi-Lume 1% 2 Wire (LTEA2W) #LTEA4U1UKL-CV240  
 \*4 40 watt max Lutron Hi-Lume 1% 3 Wire (L3DA3W) #L3DA4U1UKL-CV240  
 \*5 96 watt max Lutron Hi-Lume Premier 0.1% (L3D0E) #L3D0-96W24V-U  
 \*6 Run lengths required for Wet Location and IP67 products (To ensure proper seal)