

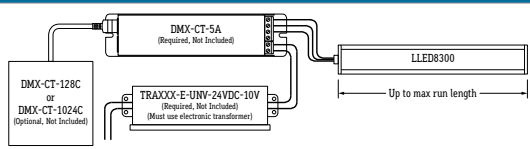
FEATURES

- APPLICATIONS** Accent, Decorative Lighting
- VOLTAGE** 24VDC
- LAMP TYPE** Color Tuning LEDs
- DIMMING** DMX-512
- LENGTH** Built to Order
- MOUNTING** Pendant Mount
- VIEWING ANGLE** 120 Degrees
- L70 LED LIFE** 60,000 hrs.
- MAXIMUM RUN*1** 26' (4.5W)
(Based on 5 amps)
- LISTING** Dry or Wet (IP65 or IP67) Location
UL2108, CSA C22.2#9
UL8750, CSA250

ELECTRICAL

lipLEDs is a 24 Volt system that requires a 24VDC (secondary side) transformer. The standard primary side voltage on our transformers is 120V or 277V. Consult factory for other primary side voltages. See transformer brochure for additional information.

DMX CONTROL SYSTEM (Not Included)



DMX-CT-5A DMX Decoder is required for DMX color tuning. Set DMX address using DIP switches. Compatible with DMX-512 1990 standard protocol. See DMX-CT-5A for details. DMX-CT-128C or DMX-CT-1024C DMX Controller is capable of programming specific colors and scenes via software. See DMX-CT-128C or DMX-CT-1024C for details. An electronic transformer must be used to operate the DMX control system. See TRA-E brochure for details.

ACCESSORIES (Not Included)

Click on thumbnail of accessory to see cut sheet, if applicable

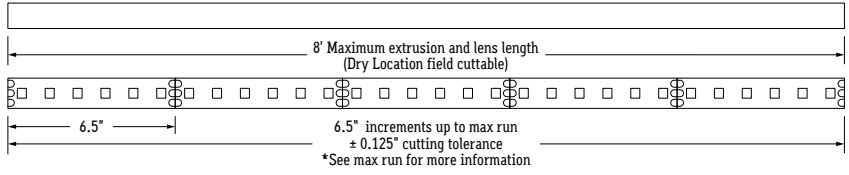
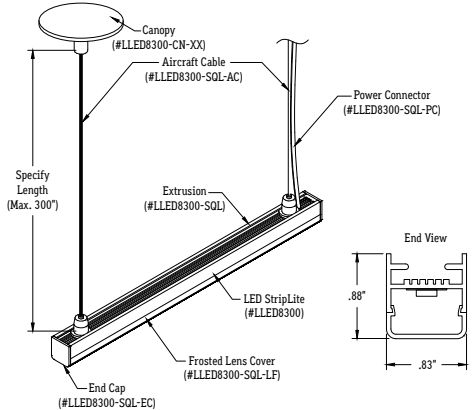
Power Connector (#LLED8300-PC) Shrink tube included for Wet Locations

LAMP SPECIFICATIONS

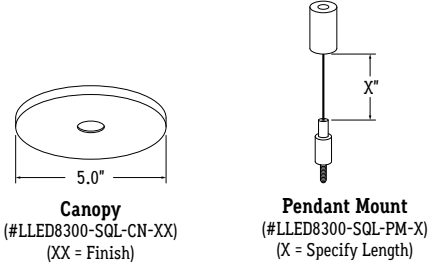
LAMP NUMBER	DESCRIPTION
LED-CT	2400K-6400K Color Tuning

NOT TO SCALE

± .015" tolerance



MOUNTING OPTION (Not Included)



SPECIFY PRODUCT CODE (Use drop down menu to complete table or fill in the blanks)

LLED8300-SQL - 4.5W - DMX - LED-CT -

SERIES	OPTICS	WATTS PER FOOT	DIMMING	LAMP	LISTING	PC FINISH	FINISH
Ex. LLED8300-SQL	F	4.5W	DMX	LED-CT	DRY	BK	WH
LLED8300-SQL	Clear Lens (CL)	4.5 Watts (4.5W)	DMX-512 (DMX)	2400K-6400K Color Tuning (LED-CT)	Indoor (DRY)	Black (BK)*4	Natural Silver (NA)*2
						White (WH)	
	50% Semi-Frosted Lens (SF)				Outdoor IP65 (WET)*3	Satin (SA)	Polished (PA)
					Outdoor IP67 (WET-IP67)*3		White (WH)
100% Frosted Lens (F)						Satin (SA)	
						Black (BK)	
						Green (GN)	
						Red (RD)	
							Silver (SR)

*1 Maximum run based on 4 amps for class II applications: 21' (4.5W)
 *2 Standard Finish: Natural Silver if left blank
 *3 Run lengths required for Wet Location products (To ensure proper seal)
 *4 Standard Power Connector Finish: Black if left blank