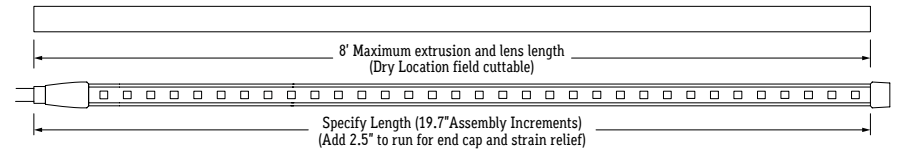
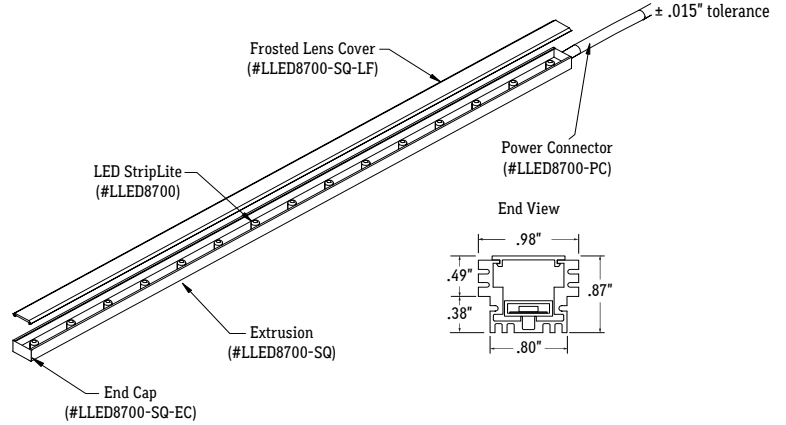
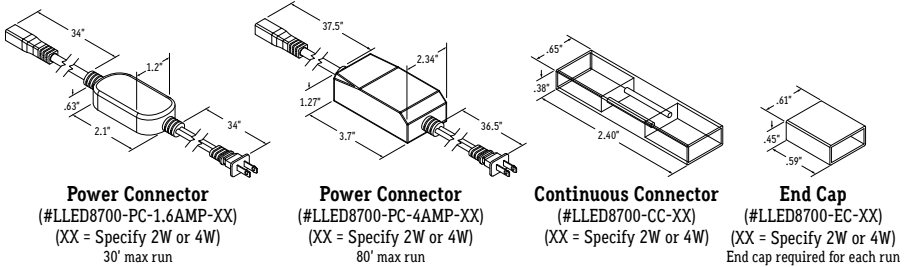


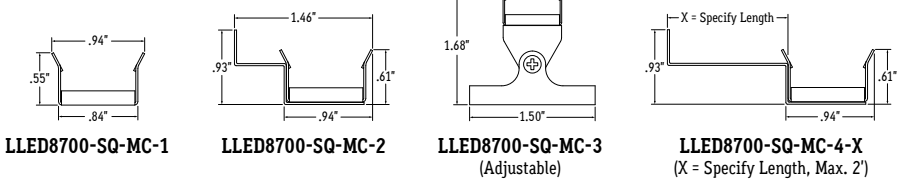
NOT TO SCALE



ACCESSORIES (Assembled with specified run length, not included)



MOUNTING OPTIONS (Not Included)



SPECIFY PRODUCT CODE (Use drop down menu to complete table or fill in the blanks)

LLED8700-SQ					
SERIES	OPTICS	WATTS PER FOOT	LAMP	LISTING	FINISH
Ex. LLED8700-SQ	F	2W	LED-2.7K	DRY	WH
LLED8700-SQ	Clear Lens (CL)	2 Watts (2W)	LED-2.4K	Indoor (DRY)	Natural Silver (NA)*1
		4 Watts (4W)	LED-2.7K		
LLED8700-SQ	50% Semi-Frosted Lens (SF)	2 Watts (2W)	LED-3.0K	Outdoor (WET)	Polished (PA)
			LED-4.0K		White (WH)
			LED-5.0K		Satin (SA)
LLED8700-SQ	100% Frosted Lens (F)	2 Watts (2W)	LED-2.4K	Outdoor (WET)	Black (BK)
					Green (GN)
					Red (RD)
LLED8700-SQ		4 Watts (4W)	LED-2.4K	Indoor (DRY)	Silver (SR)

*1 Standard finish - Natural Silver if left blank

FEATURES

APPLICATIONS Accent, Decorative Lighting
VOLTAGE 120V
LAMP TYPE LEDs
DIMMING Forward Phase (TRIAC)
LENGTH Built to Order
MOUNTING Mounting Clips or Mounting Channel
EFFICACY 2W: 114 Lumens per foot
 4W: 228 Lumens per foot
CRI > 82
VIEWING ANGLE 120 Degrees
LED LIFE 50,000 hrs.
MAXIMUM RUN 80' (PC-4AMP), 30' (PC-1.6AMP)
LISTING Dry/Damp or Wet Location
 UL2108, CSA C22.2#9
 UL8750, CSA250

ELECTRICAL

LLED8700 is available in 120 Volts. The 120V system does not require a remote driver.

Do not cut LED strip
 Factory built 19.7" assembly increments
 ± 0.5" assembly increment tolerance

Surge protector provides an additional level of protection against powerline disturbances where surge protection IEEE C62.41.2 is required.

Surge Protector (#ALS-SP)

White (Neutral)
 Black (Hot)

LLED8700 is hardwire compatible.
 Do not hardwire without rectifier attached to power cord.

FLEXIBILITY

LLED8700 is a highly flexible LED system that allows for field shaping and designs including letters, patterns, and more.

LAMP SPECIFICATIONS

LAMP NUMBER	DESCRIPTION
LED-2.4K	2400K Warm White
LED-2.7K	2700K Warm White
LED-3.0K	3000K Warm White
LED-4.0K	4000K Cool White
LED-4.5K	4500K Cool White